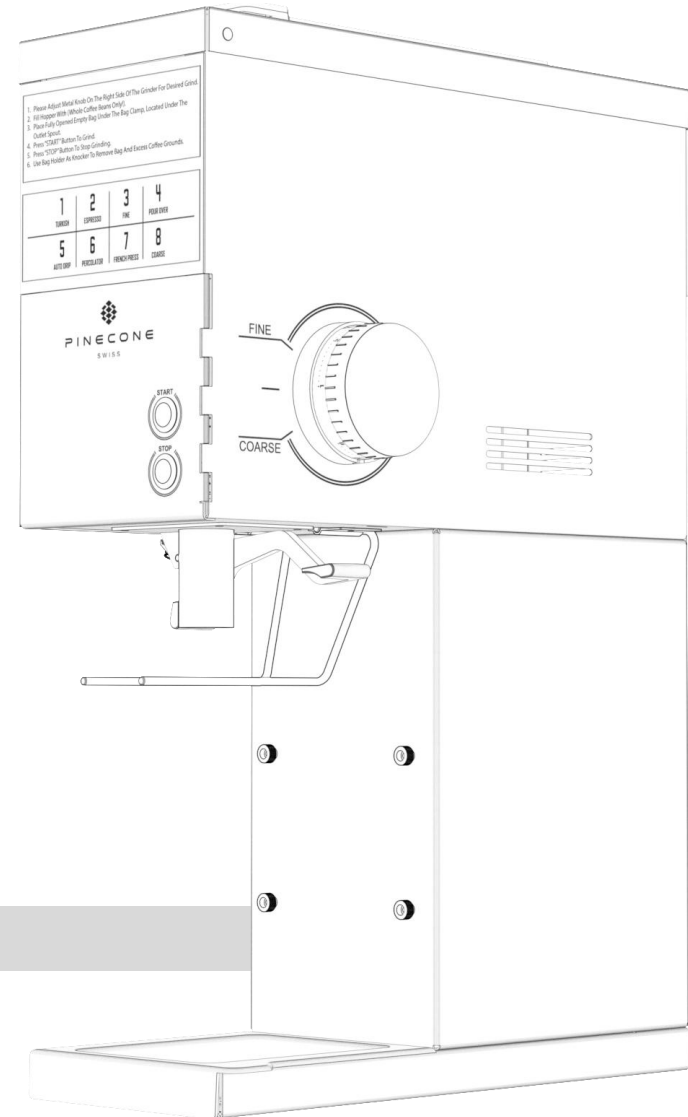


# PINECONE Torrey

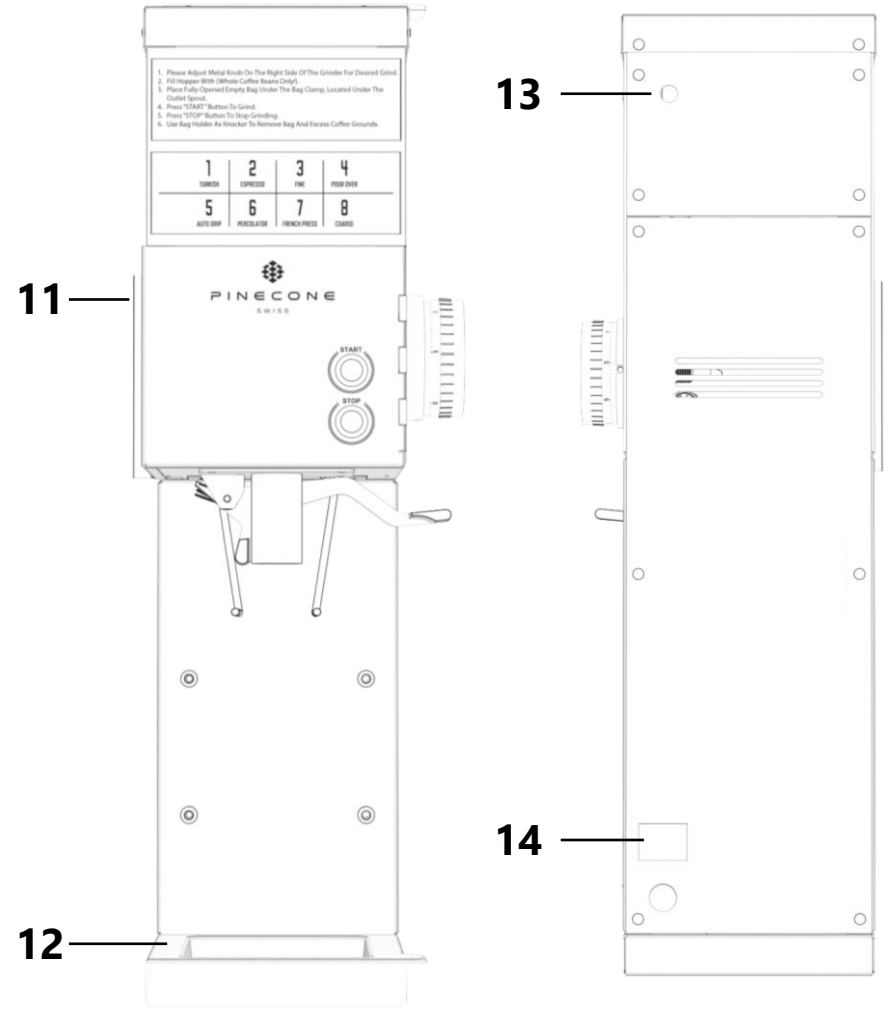
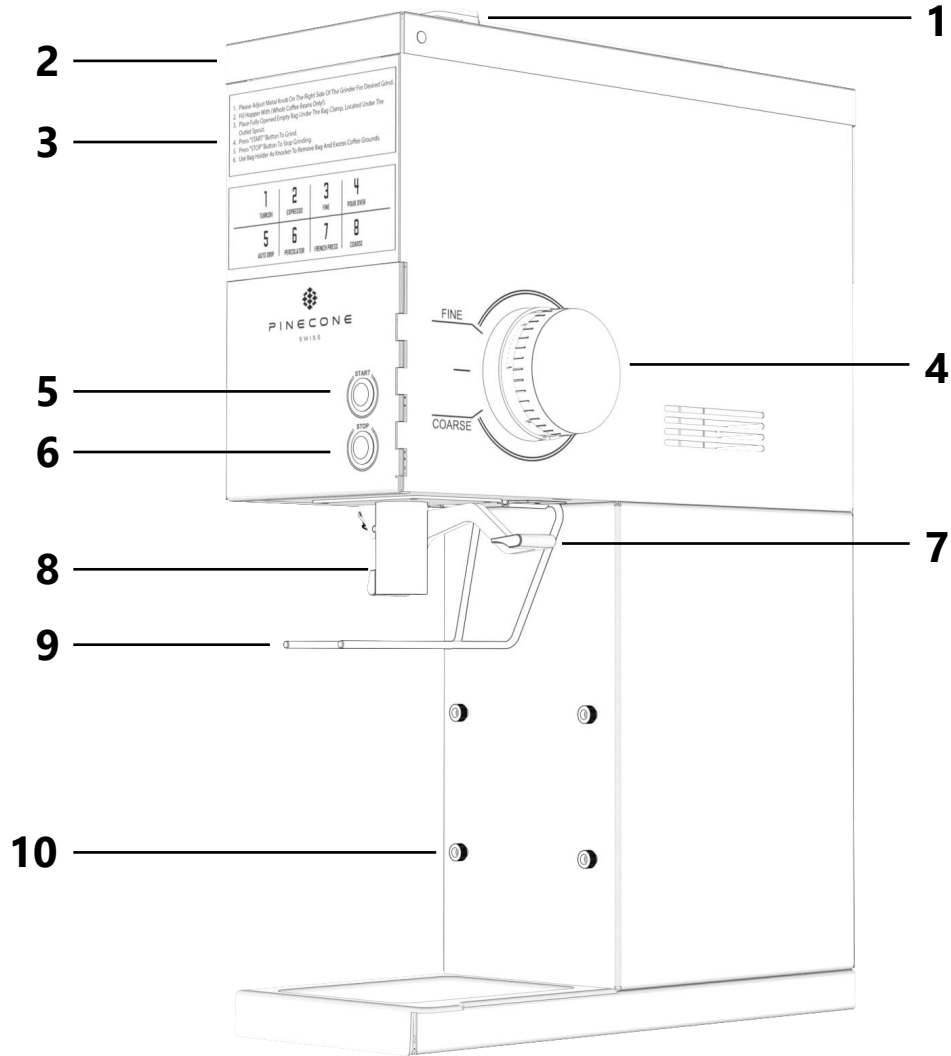
## Commercial coffee grinder

### User manual



English

# Overview Torrey



# Delivery scope

1. Bean hopper lid
2. Bean hopper
3. Recipe sticker
4. Grind size adjustment knob
5. START-Button
6. STOP-Button
7. Spout knocker
8. Spout pipe
9. Bag holder
10. Tray holders
11. Service access panel
12. Drip tray
13. Overcurrent protector
14. Main switch

# Contents

<b>General information</b>	<b>5</b>	<b>Maintenance</b>	<b>17</b>
Reading and retaining the instruction manual	5	Replacing the grinding discs	17
Glossary and explanation of symbols in the instruction manual	5	<b>Troubleshooting</b>	<b>18-19</b>
<b>Safety</b>	<b>6</b>	<b>Technical data</b>	<b>20</b>
Intended use	6	<b>Disposal</b>	<b>21</b>
Safety information	7-8	<b>Support &amp; Service</b>	<b>21</b>
<b>Before initial operation</b>	<b>9</b>		
Functioning and basic settings	9		
Validating the grinder and scope of delivery	9		
Setting up the grinder	10		
<b>Operation</b>	<b>11</b>		
Filling the hopper with coffee beans	11		
Connecting the grinder to a power supply	12		
Setting and changing the grind size	12		
Starting the grinding process	12		
Changing coffee beans	13		
<b>Cleaning</b>	<b>14</b>		
Cleaning the grinder installation surface	15		
Cleaning the grinder auxiliary components	15		
Cleaning the bean hopper	16		
Cleaning the grinding mechanism with GRINDZ	16		

# General information

## Reading and retaining the instruction manual

Carefully read this instruction manual and safety information before using the described coffee grinders to ensure safe operation without danger. This manual applies standards and regulations in force in the European Union. Consultation of specific country laws and guidelines if abroad remain in the responsibility of the user.

The Torrey coffee grinder will hereafter be referred to only as “grinder” for simplicity. Keep this instruction manual for future reference and pass it on to subsequent owners and users of these grinders.

## Glossary and explanation of symbols in the instruction manual



**WARNING!** Hazard of medium risk which can lead to death or serious injury if not avoided.



**CAUTION!** Hazard of low risk which can lead to death or serious injury if not avoided.



**WARNING!**  
Electrical shock hazard



**Note!**  
Material damage possible



**Important information** for operation & handling



Product is permitted for indoor use only



Mark to indicate a product that meets the electrical safety requirements in the United States of America.



Mark to indicate a product that meets the hygiene and cleanliness requirements in the food industry defined by the National Sanitation Foundation.



Mark to declare product conformity to applicable provisions of the European Economic Area.



Mark to declare product conformity to protection class I.

# Safety

## Intended use

The grinder is only suitable to grind whole roasted coffee beans. Do not use the grinder to grind other substances or objects.

The grinder is intended for commercial use but not for continuous mass production. Servicing the grinder is permitted exclusively for trained personnel. Operation by untrained persons is permitted in a place where its use is supervised.

Any other use is considered out of compliance with intended use and may result in material damage or personal injury.

Do not alter the grinder in any way. The manufacturer or supplier cannot be held liable for damages or any injuries resulting from failure to comply with safety instructions.

## Safety information.

---



### WARNING!

#### Danger of electric shock (1/2)

Improper use, incorrect electrical installation or excessively high voltage can lead to electric shock. Therefore:

- Connect the grinder only if the mains voltage of the socket complies with the information indicated on the type plate.
- Connect the grinder only to a socket with good accessibility so that it can be quickly disconnected in the event of a fault.
- Do not use the grinder if you notice any damage or if the power cable or plug is faulty. A damaged cable or plug must be replaced by the manufacturer or by qualified service personnel in order to avoid hazards.
- Do not operate the grinder without an earth connection.
- Connect the grinder only if the power supply is secured with a 16 A slow fuse or 15 A overload protection (USA). Only qualified electricians may install protective measures if the power connection at the site of use is not yet secured in this way.

# Safety



## WARNING!

### Danger of electric shock (2/2)

- Install the grinder only in places where handling & operation of the grinder can be supervised by trained personnel.
- Do not operate the grinder above 2,000 meters.
- Do not immerse the grinder or the power cable or power plug in water or any other liquids.
- Do not clean the grinder with a water jet or with compressed air (e.g. with a compressed air gun).
- Never touch the power plug with wet hands.
- Never unplug the power plug from the wall socket by pulling on the power cable; always grip the plug itself.
- Never use the power cable as a handle to carry the grinder.
- Keep the grinder and power cable/power plug away from open flames and hot surfaces.
- Position the power cable in a way so that it does not become a trip hazard.
- Do not bend the power cable and do not place it over sharp edges.
- Use the grinder in indoor areas only. Never operate the grinder in damp rooms or in the rain.
- Keep children away from the grinder and ensure that children do not insert any objects into the grinder.
- If you are not using the grinder, if you are cleaning it or if a fault occurs: switch off the grinder and remove the power plug from the socket.
- Do not open the grinder casing and delegate repairs and service to trained service personnel.
- All liability and warranty claims will be rejected and excluded in the event of unauthorized repairs, faulty power connection or incorrect grinder operation.
- Only original equipment manufacturer parts that comply with the original appliance specifications may be used for repairs and service. This grinder contains electrical and mechanical parts that are essential for protection against potential hazards

# Safety



**WARNING!** Danger for children and persons with reduced physical, sensory or mental capabilities (e.g. partially disabled or elderly persons) or a lack of experience or knowledge (e.g. older children or inexperienced users)

- The grinder is not intended for use by children or people with limited physical, sensory or mental abilities or a lack of experience and knowledge. Children may not play with the grinder.
- Do not leave the grinder unsupervised when in operation.
- Do not let children play with packaging film. Children can become entangled in it while playing and may suffocate.
- Do not let children play with the small parts. These can be life-threatening if swallowed.



**CAUTION!**  
Risk of tipping and injury

- Incorrect handling of the grinder can result in injury.
- Position the power cable so that persons cannot become entangled and cause the grinder to fall over.
- Place the grinder on a level and stable surface to prevent it from falling over.

# Before initial operation

## Functioning and basic settings

The grinder operates on single phase power supply. Ensure a properly secured and grounded supply socket is available and consult a certified electrician if it is not.

The grinder is designed to grind into bags but may also be used to grind into other containers if these can be secured safely while grinding. The grinder is powered as soon as its power cord is connected to a suitable power supply and the main switch (14) is set to "I" position. Grinding operation is controlled by the START-button (5) and STOP-button (6).

The grinder is ready to grind when the START-button (5) is illuminated in green color. Red illumination around the START-button (5) indicates that a safety condition is active that prevents the grinder from starting. The grinder will not start if the bean hopper lid is open, if the service access panel is open or if the grinder detected overtemperature.

## Validating the grinder and scope of delivery

- ! **Note! Risk of damage!** Take care while opening the grinder packaging with a sharp knife or other pointed objects, otherwise the grinder may be damaged.
- 
- Remove the grinder from its packaging & validate that the delivery scope is complete (see p.3)
- Check for damage to the grinder or to its individual parts: if damage is detectable, do not use the grinder and contact your supplier.
- i **Information:** please note that each grinder is subjected to a function test before delivery and that residues of coffee powder may be present in the grinding chamber

# Before initial operation

## Setting up the grinder

1. Place the grinder on a level and stable surface.
2. Insert the drip tray (12) into the corresponding housing recess on the bottom of the front panel and secure it in place.
3. Connect the grinder power cord to a suitable, secured and grounded power supply.
4. Set the grinder main switch (14) to "I"-position to power on. Green illumination around the START-button (5) indicates that the grinder is ready to grind. Red illumination around the START-button (5) indicates that a safety condition is active that prevents the grinder from starting. The grinder will not start if the bean hopper lid is open, if the service access panel is open or if the grinder detected overtemperature.
7. When grinding into bags, take care to select a bag size of sufficient size to prevent the spout pipe (8) from reaching far into the coffee bag / to prevent the spout pipe from interfering with accumulating coffee inside of the bag.

# Operation

- ! **Note! Risk of overheating!** Exceeding the maximum permissible operating cycle can cause the grinder to overheat.
- Do not exceed the maximum operating cycle and observe recommended pauses when the maximum operating cycle is reached (see chapter “Technical Data”).

## **i** Information

- The grinder applies a overcurrent circuit breaker that interrupts the grinder's circuit in the event of an electrical overload. To start the grinder again after the circuit breaker released, unplug the main power cord from its power supply and press in the circuit breaker release button (13) on the backside of the grinder. You can now plug the main power cord back into its power supply and restart grinding operation.
- The grinder also applies a motor protector, which switches off the grinder when the motor becomes too hot. As soon as the motor has cooled down, the grinder can be put into operation again.

- ! **Note! Risk of damage!** The operator has no influence on the thermal overcurrent circuit breaker. If the circuit breaker trips several times, it is essential to consult an authorized service partner as the motor may be damaged.

## Filling the hopper with coffee beans

1. Open the bean hopper lid (1).
2. Fill the bean hopper (2) with whole roasted coffee beans. The maximum filling level should be approximately 1 cm below the top edge of the bean hopper (2).
3. Close the bean hopper lid (1). Unless the lid is securely closed, the grinder will not start.
4. Ensure a bag is secured onto the spout pipe (8).

# Operation

## Connecting the grinder to a power supply

Plug in the power cord into a properly installed contact socket and set the grinder main switch (14) to "I"-position.



**WARNING! Danger of electric shock!** Ensure a properly secured and grounded power supply socket is available at your location and consult a certified electrician if it is not available.

## Setting and changing the grind size

Turn the grind size adjustment knob (4) to the required position so that the value knob points towards the desired grind size value on the recipe sticker (3).

Turning the grind size adjustment knob (5) clockwise will yield a coarser grind size, whereas turning counterclockwise will yield a finer grind size.

## Information

- Only turn the grind size adjustment knob (4) clockwise for a finer grind size while the grinder is running to prevent damage to the grind size adjustment mechanism
- To avoid imbalances when adjusting grind size it is recommended to first set a coarser grind size size (about one scale value above the desired value) and only then adjust the grinding size finer to the desired value

## Starting the grinding process

Operate the grinder via the START-button (5) and STOP-button (6).

# Operation

## Changing coffee beans

1. Operate the grinding process by pushing the START-button (5) until the grinding chamber runs empty. Push the STOP-button (6) once the grinder is idling.
2. Open the hopper lid (1)
3. Remove all remaining coffee beans from inside of the bean hopper (2) and temporarily transfer them to another container.
4. Clean the inside of the hopper if necessary.
5. Refill the bean hopper with new whole roasted coffee beans.
6. Close the hopper lid (1).
7. Grind a few seconds to remove any residues of the previous coffee beans.

# Cleaning



## CAUTION!

Risk of injury! The grinder may tip over and cause injury when moved.

- Always place the grinder on a stable surface that is safe from tipping over before cleaning.
- Consult for help if the grinder is too heavy or bulky to move alone.



## CAUTION!

Risk of injury and danger of short circuit from water entering the grinder!

- Never immerse the grinder in water or other liquids for cleaning
- Never clean the grinder using a water jet or other water propulsion tools
- Ensure that no water or other liquids enter the grinder body casing



## Note! Risk of damage!

Improper handling may cause damage to the grinder

- Do not use any harsh cleaning products or sharp or metallic cleaning objects such as knives, metal scouring pads or similar. These can scratch the surface of the grinder.
- Do not clean the grinder with compressed air (e.g. with a compressed air gun).
- Do not put the drip tray or the lid of the bean container into the dishwasher. The parts are not suitable for dishwashers and may be damaged.
- Do not lift the grinder by the bean hopper; lift only by the casing and always with both hands.

# Cleaning

## Cleaning the grinder installation surface

1. Set the grinder main switch to "0"-position (14) and remove the grinder's power cord from its supply socket.
2. Lift the grinder by its body casing using both hands and place it on a stable and clean surface.
3. Clean the installation surface and the underside of the grinder with a damp cloth and dry the surfaces (surfaces must be dry and free of oil and grease).
4. Place the grinder back on the cleaned surface and ensure the steps of chapter "setting up the grinder" are followed before resuming grinding operations.

## Cleaning the grinder auxiliary components

1. Set the grinder main switch to "0"-position (14) and remove the grinder's power cord from its supply socket.
2. Use a brush to clean the following grinder components:
  1. the spout pipe (8),
  2. the spout knocker (7),
  3. the bag holders (9),
3. Remove the drip tray (12) from its fixation.
4. Use a damp cloth to wipe down the casing and the drip tray as required, but at least once a week.
5. Re-attach all parts removed for cleaning and ensure the steps of chapter "setting up the grinder" are followed before resuming grinding operations.

# Cleaning

## Cleaning the bean hopper

1. Operate the grinding process by pushing the START-button (5) until the grinding chamber runs empty. Push the STOP-button (6) once the grinder is idling.
2. Set the grinder main switch to "0"-position (14) and remove the grinder's power cord from its supply socket.
3. Open the hopper lid (1)
4. Remove all remaining coffee beans from inside of the bean hopper (2) and temporarily transfer them to another container.
5. Use a damp cloth to clean the inside and outside of the bean hopper and allow it to dry.
6. Refill the bean hopper with new whole roasted coffee beans.
7. Re-attach all parts removed for cleaning and ensure the steps of chapter "setting up the grinder" are followed before resuming grinding operations.
8. Grind a few seconds to remove any residues of the previous coffee beans.

## Cleaning the grinding mechanism with GRINDZ™

### Information

- The manufacturer recommends the use of Urnex GRINDZ™ grinder cleaner.
- More information on how to use GRINDZ™ to clean your grinder is available at [www.urnex.com](http://www.urnex.com) and on YouTube: [www.youtube.com/watch?v=7sNRzQqfSzc](https://www.youtube.com/watch?v=7sNRzQqfSzc).
- The grinder requires cleaning every 1-2 weeks for best taste and operation.

# Maintenance

## Information

- Grinding discs should be replaced after grinding ca. 1.200 kgs of whole roasted coffee beans. The grinding volume until replacement depends on grind size, roast degree, bean type and condition of the grinding discs.
- Wear gloves when changing the grinding discs to avoid injury.
- Recalibrate your grind size after replacing or changing the grinding discs.

## Replacing the grinding discs

1. Operate the grinding process by pushing the START-button (5) until the grinding chamber runs empty. Push the STOP-button (6) once the grinder is idling.
2. Switch off the grinder by disengaging the main switch (14) and remove the power plug from its socket.
3. Turn the grind size adjustment knob (4) to its coarsest position.
4. Unscrew the safety screw on the bottom of the service panel (11) and open the panel.
5. Unscrew the two screws on the top left and bottom right of the aluminum grinding house and carefully pull off the grinding house cover towards the front.
6. Use a slot screwdriver to loosen and remove the rotary disc from the pre-breaker and the stationary disc from inside the grinding house cover.
7. Remove excess ground coffee from both the pre-breaker and grinding house using a hand-held vacuum cleaner or soft bristle brush. Make sure that the surfaces holding the grinding discs are free from coffee particles to allow ideal disc alignment.
8. Place the new rotary disc on the pre breaker and the stationary disc into the grinding house cover and tighten the disc holding screws with a slot screwdriver.
9. Re-install all grinding components and re-calibrate the grind size to your preferences.

# Troubleshooting

Problem	Possible cause	Remedy
The grinder is not grinding	The power plug is not plugged into a socket.	Insert the power plug into a properly installed socket.
	The bean hopper lid or service panel are not properly closed.	Ensure the bean hopper lid (1) is properly closed onto the bean hopper (2) and the service panel (11) is properly secured to the grinder front panel.
	The overcurrent protection switch triggered.	Check whether the release button of the circuit breaker (13) is pushed out. Push it back in if necessary. Contact your service partner if the circuit breaker pops out repeatedly.
	The electrical fuse tripped.	Check the electrical fuse. If required, restore the fuse to its original state or replace it. Check whether other loads are connected to this fuse and if so, pull out their plugs. Contact your service partner if the fuse repeatedly trips.
The grinder is making noise but not grinding.	The motor temperature internal fuse tripped.	Disconnect main power socket and wait for 30-60 minutes to let the motor cool down. After waiting connect the main power plug and restart the grinder.
	The grinding mechanism is clogged or coffee has backed up into the grinder	Clean the spout (8) and engage the spout knocker (7) multiple times. Set the grinding degree to coarsest position. Start the grinding process. The grinder will clear itself. Then re-set the grinding degree setting to the desired position
	The grinding degree is too fine.	Set the grinding degree to coarsest position. Start the grinding process. The grinder will clear itself. Then re-set the grinding degree setting to the desired position
	A foreign object entered into the grinding mechanism.	Clean the grinding mechanism as described in the chapter on "Cleaning" and remove the foreign object in the process. If the foreign object cannot be removed, contact your service partner.

# Troubleshooting

Problem	Possible cause	Remedy
The grinder is not grinding fine enough.	The grinding discs reached end of life or need calibration.	Replace the grinding discs or adjust the grind size to a finer setting.
The grinder does not grind continuously / it stops grinding intermittently.	The STOP- and START-buttons or switching components may be damaged.	Contact your service partner.

# Technical data

Model	Torrey	Torrey
Voltage / frequency	110V, 60 Hz, 1Ph, 750 W	220V, 50 Hz, 1Ph, 550 W
Motor idle speed	1700 rpm	1400 rpm
Grinding output	500 g/min*	500 g/min*
Max. permitted operating cycle	15 min ON / 20 min OFF	15 min ON / 20 min OFF
Recommended pause	20 minutes	20 minutes
Max. bean hopper filling quantity	1.750 grams	1.750 grams
Dimensions (W x H x D)	180 x 705 x 460 mm	180 x 705 x 460 mm
Packaging dimensions (W x H x D)	280 x 765 x 515 mm	280 x 765 x 515 mm
Weight	25kg	25kg

# Disposal

## Packaging disposal



Dispose of the packaging by correctly sorting recyclable materials. Dispose of card and cardboard as waste paper and film as recyclable material

## Grinder disposal



Old appliances may not be disposed into commercial/domestic waste. As a consumer, if you can no longer use your grinder, you are required by law to dispose of old equipment separately from commercial/household waste, e.g. at a collection point in your municipality. This ensures professional recycling and avoidance of negative impacts on the environment as much as possible.

# Support & Service

Please contact your authorized service partner for PINECONE SWISS products in an event of service of maintenance.

For general inquiries and other customer service please contact:

[www.pineconeswiss.com](http://www.pineconeswiss.com)

PINECONE SWISS AG

[info@pinecone-swiss.com](mailto:info@pinecone-swiss.com)

Bafflestraße 17b

9450 Altstätten SG

Switzerland